

Aerial Drone Competition

Drop Zone

Assembly Guide
Version 1.1

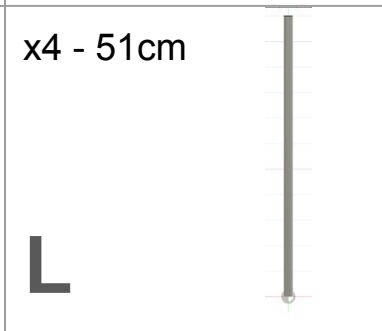
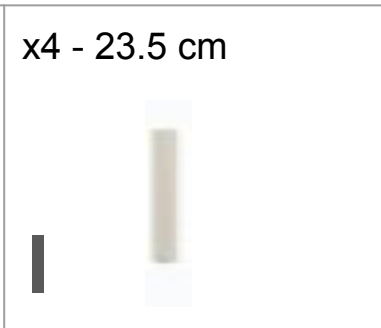
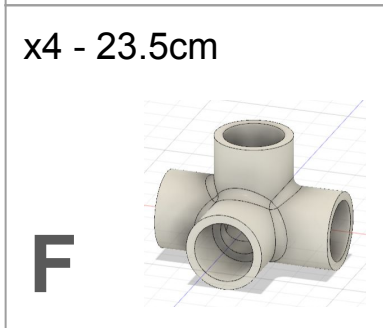
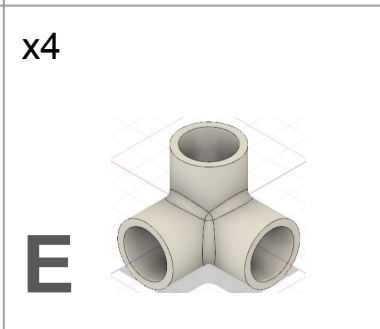
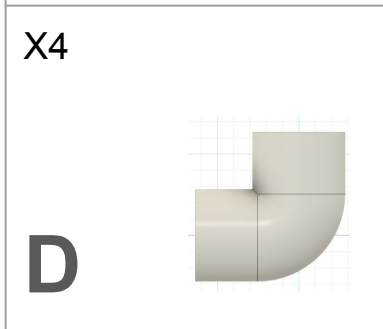
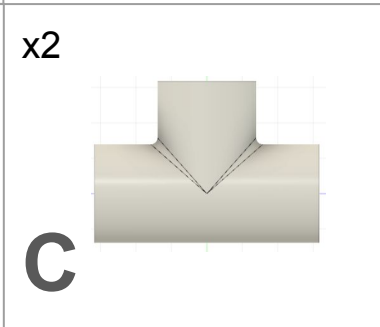


DRONE
COMPETITION GATES


AERIAL DRONE
COMPETITION

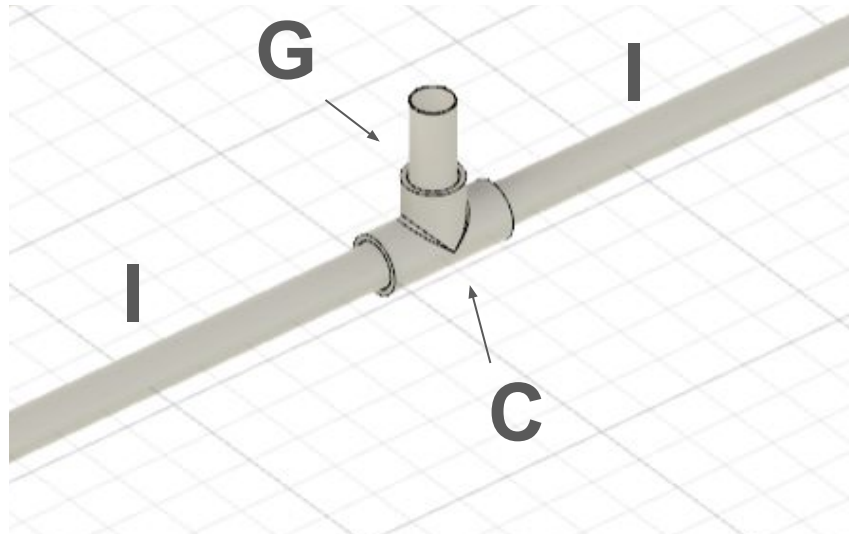


Parts List

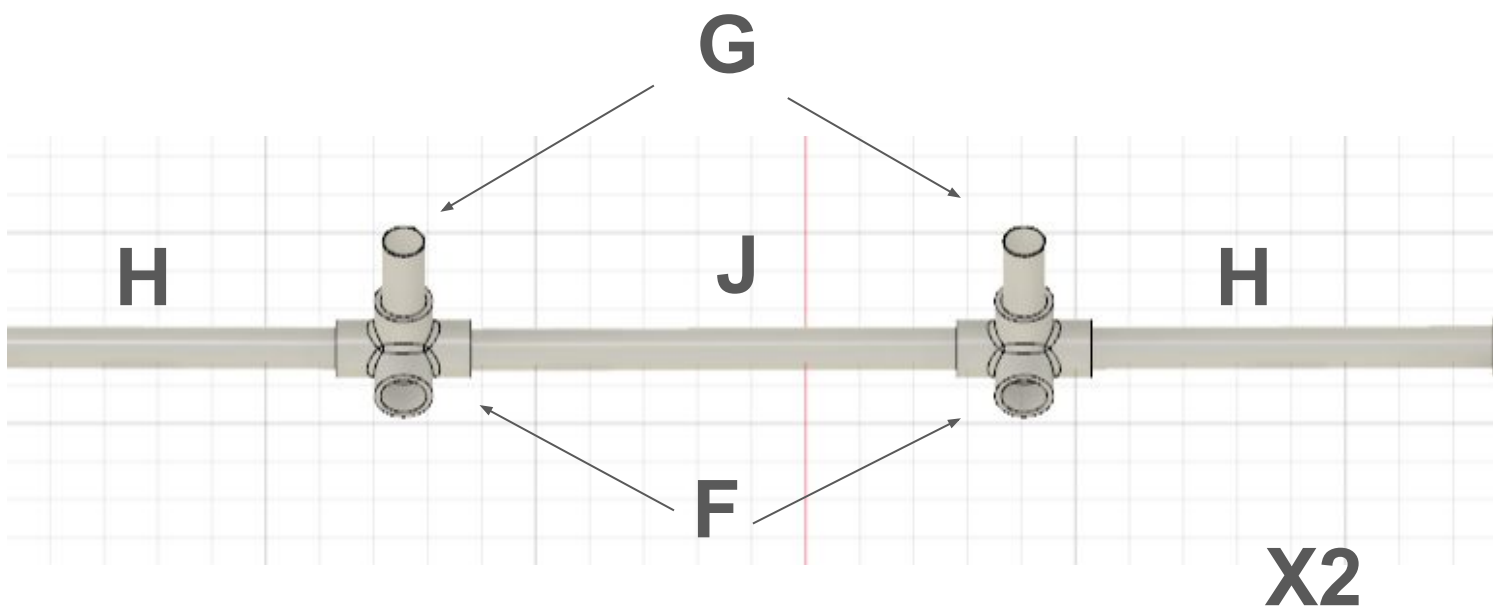


Letter	Description	Quantity
A	30" x 20" foldable ball tray	1
B	20" x 18" ball ramp	2
C	Tee Connector	2
D	90 Degree Elbow	4
E	3 way Elbow	4
F	4 way Elbow	4
G	5cm pvc tube	6
H	21.5cm pvc tube	4
I	23.5cm pvc tube	4
J	25cm pvc tube	2
K	30.5cm pvc tube	4
L	51cm pvc tube	4
M	Zip Tie	8

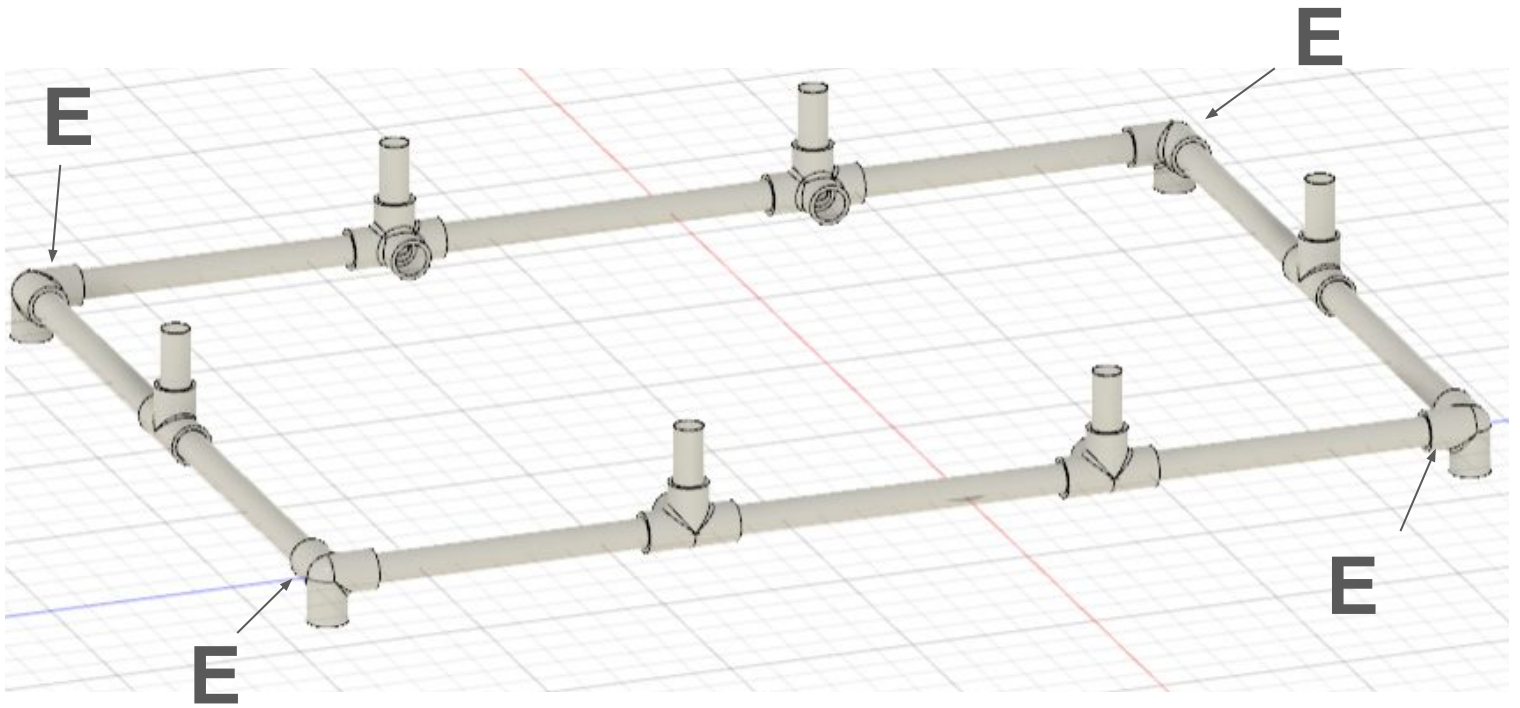
Step 1: Assemble 2 of the short sides.



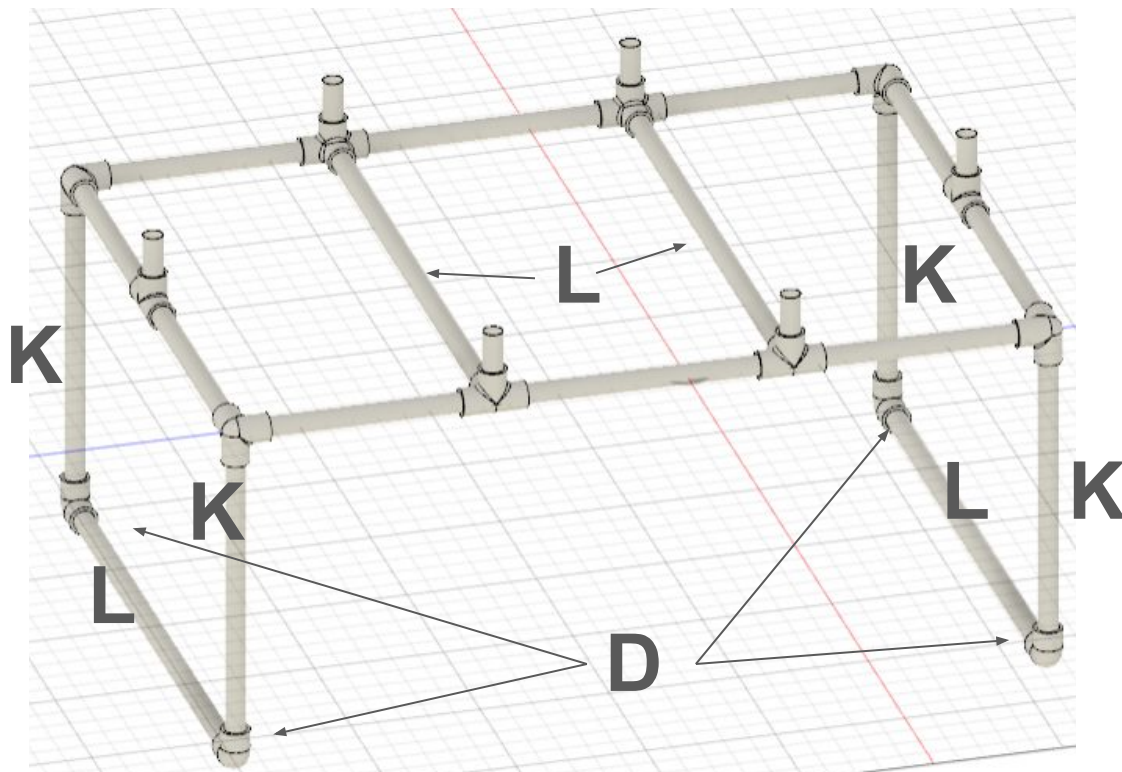
Step 2: Assemble 2 of the long sides.



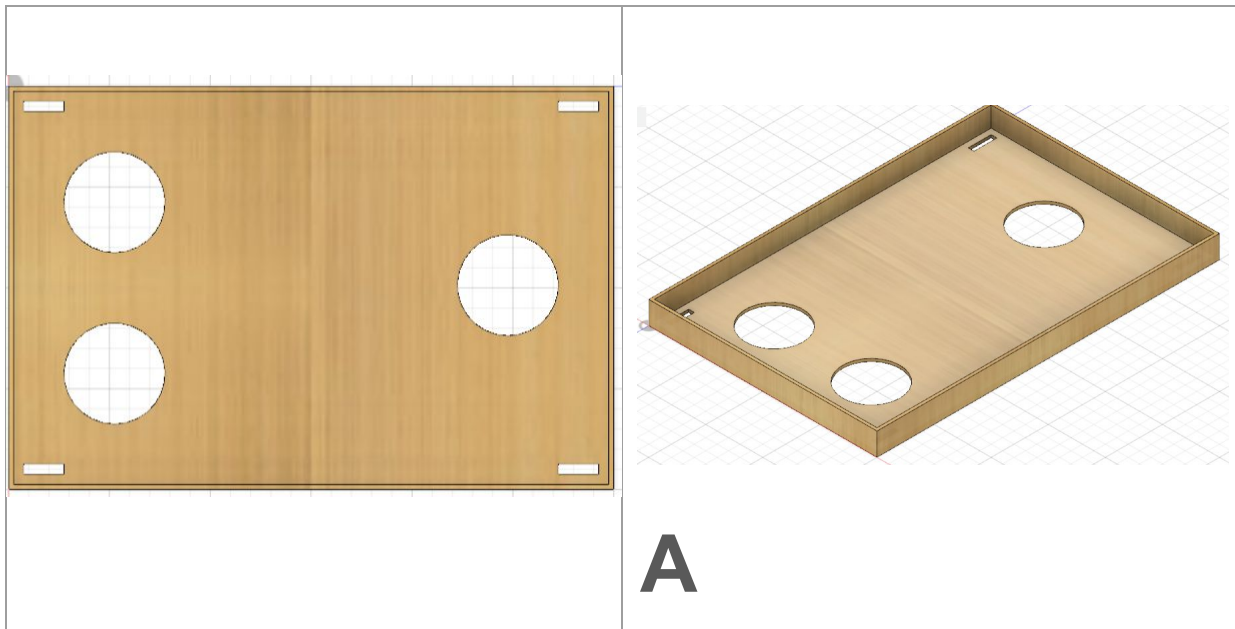
Step 3: Connect the 2 short sides and 2 long sides using 3 way connectors (E).



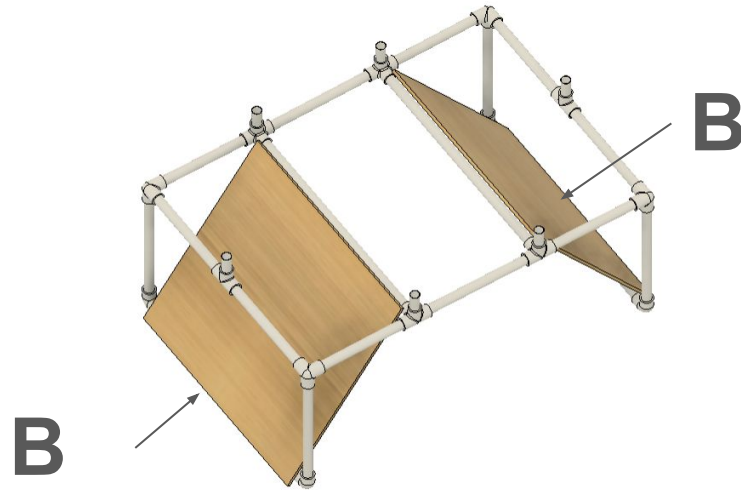
Step 4: Add 2 Cross Bars and Legs



Step 5: Assemble tray by folding along specified edges to create a 2" tall perimeter along all 4 edges. Use tape or glue to secure the corners.



Step 6: Attach ball ramps to PVC frame by using 2 zip ties at the top and bottom of each ramp.



Note the placement of the ball ramps. The top of the ramp should be secured **behind** the pvc pipe, while the bottom of the ramp should be secured **in front of** the pvc pipe.



Step 7: Ensure all pvc connections are pushed together tightly. Place tray on the top of the structure.



Assembly is now complete and ready for use. You will need to build a total of 2 Drop Zones.